



### Nominal data

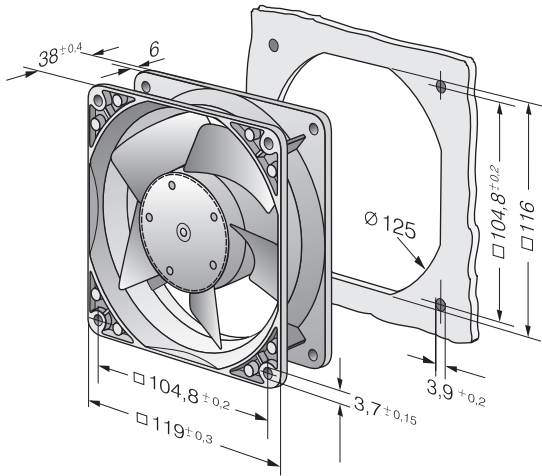
Type	4184 NXH	
Nominal voltage	VDC	24
Nominal voltage range	VDC	12 .. 28
Speed (rpm)	min <sup>-1</sup>	4400
Power consumption	W	11.0
Min. ambient temperature	°C	-30
Max. ambient temperature	°C	70
Air flow	m <sup>3</sup> /h	237
Sound power level	B	6.5
Sound pressure level	dB(A)	57

ml = Max. load · me = Max. efficiency · fa = Free air · cs = Customer specification · ce = Customer equipment  
Subject to change

**Technical description**

<b>Impeller material</b>	Glass-fiber reinforced PA plastic
<b>Weight</b>	0.390 kg
<b>Dimensions</b>	119 x 119 x 38 mm
<b>Housing material</b>	Die-cast aluminum
<b>Airflow direction</b>	Intake over struts
<b>Direction of rotation</b>	Clockwise, viewed toward rotor
<b>Storage</b>	Ball bearing
<b>Service life L10 at 40 °C</b>	70000 h
<b>Service life L10 at maximum temperature</b>	35000 h
<b>Cable</b>	Flat plug 2.8 x 0.5 mm. Optionally also with wires.
<b>Motor protection</b>	Protection against reverse polarity and blocked rotor.
<b>Approval</b>	VDE, CSA, UL
<b>Option</b>	Speed signal

Product drawing



## Curves: Air performance

